

# IMPLANT PLACEMENT

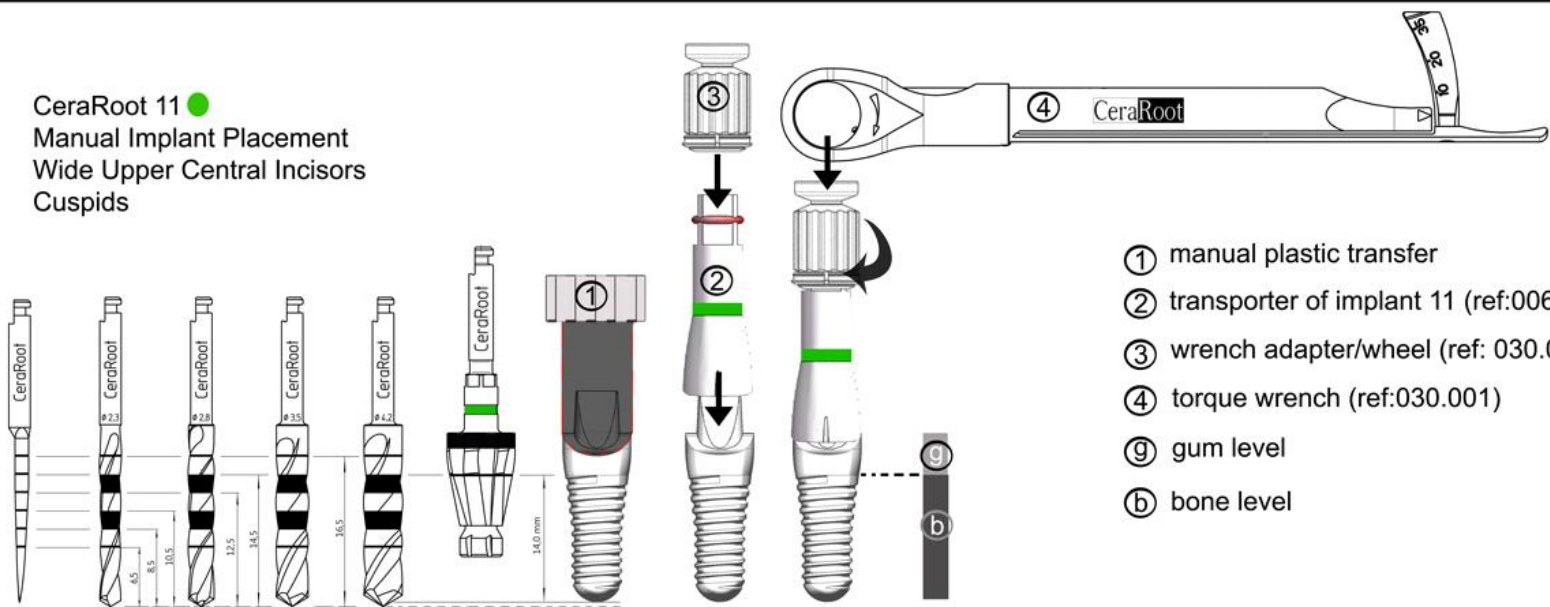


## STEPS



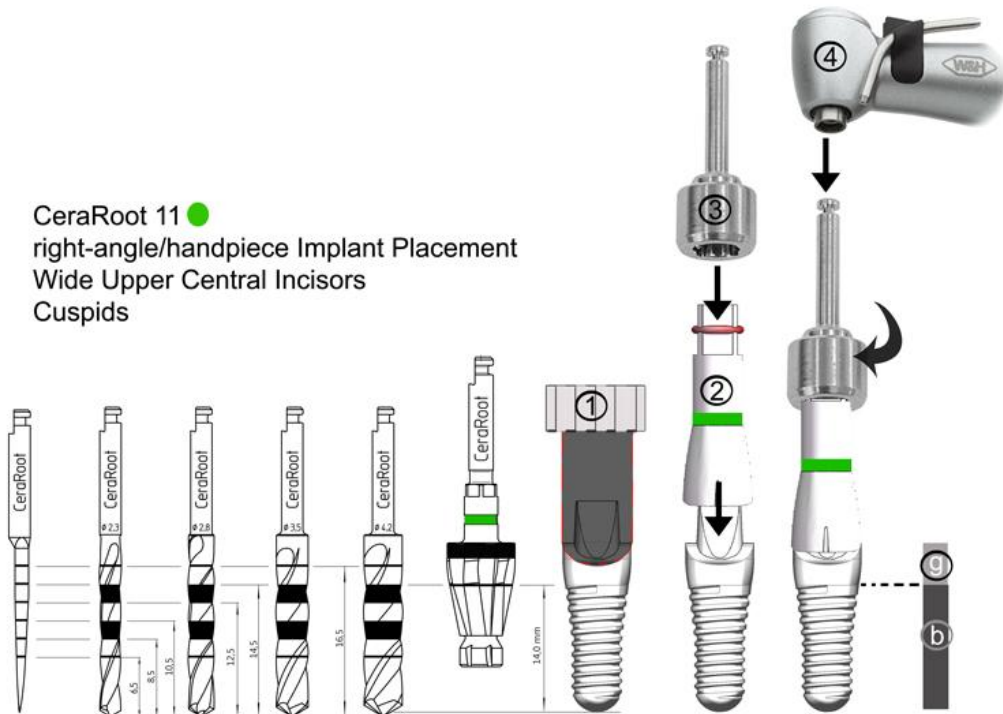
CeraRoot  
Zirconia Dental Implants

**CeraRoot 11 ●**  
**Manual Implant Placement**  
**Wide Upper Central Incisors**  
**Cuspids**



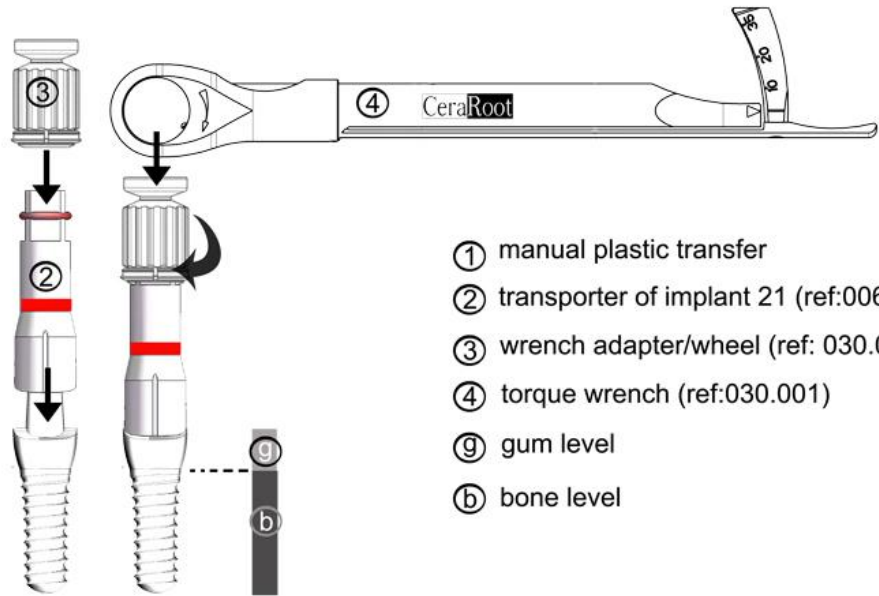
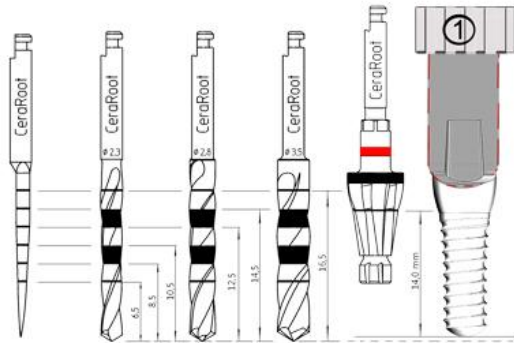
- ① manual plastic transfer
- ② transporter of implant 11 (ref:006.011)
- ③ wrench adapter/wheel (ref: 030.002)
- ④ torque wrench (ref:030.001)
- g gum level
- b bone level

**CeraRoot 11 ●**  
**right-angle/handpiece Implant Placement**  
**Wide Upper Central Incisors**  
**Cuspids**



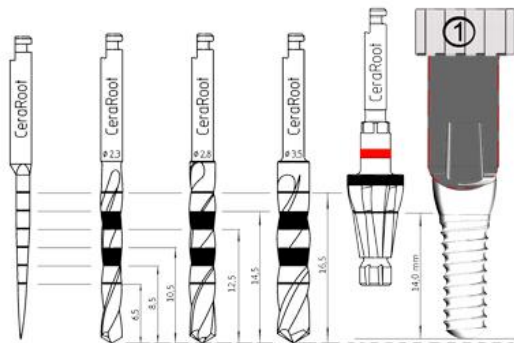
- ① manual plastic transfer
- ② transporter of implant 11 (ref:006.011)
- ③ right angle adapter 4x4 (ref: 001.007)
- ④ right-angle/handpiece
- g gum level
- b bone level

**CeraRoot 21 ●**  
**Manual Implant Placement**  
**Upper Central Incisors**  
**Cuspid**



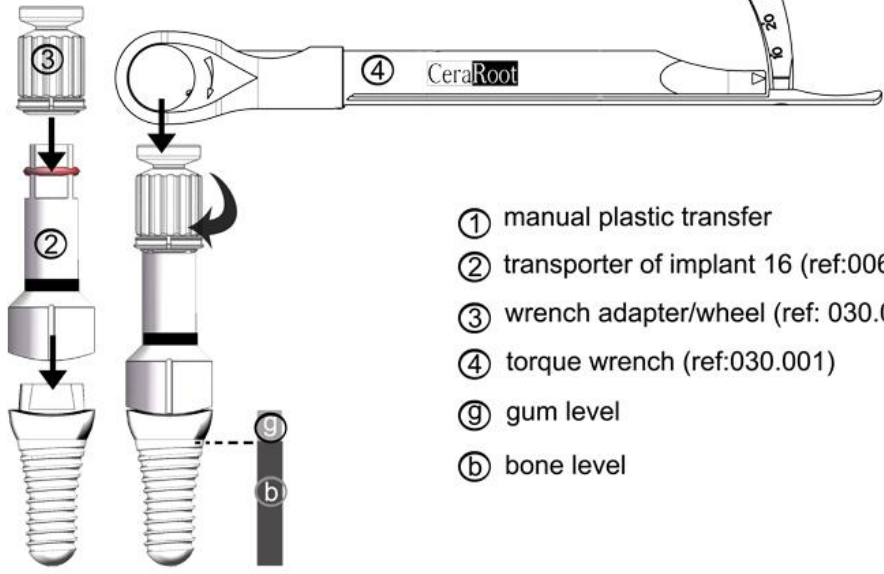
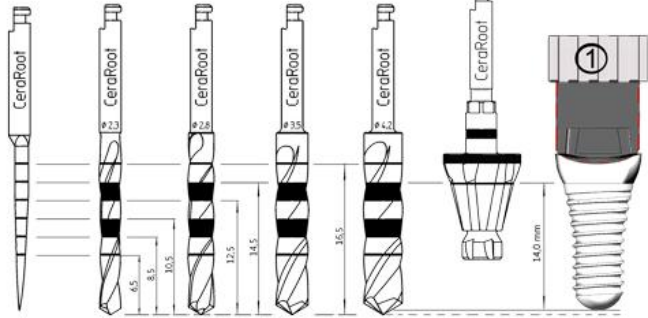
- ① manual plastic transfer
- ② transporter of implant 21 (ref:006.021)
- ③ wrench adapter/wheel (ref: 030.002)
- ④ torque wrench (ref:030.001)
- g gum level
- b bone level

**CeraRoot 21 ●**  
**right-angle/handpiece Implant Placement**  
**Upper Central Incisors**  
**Cuspid**



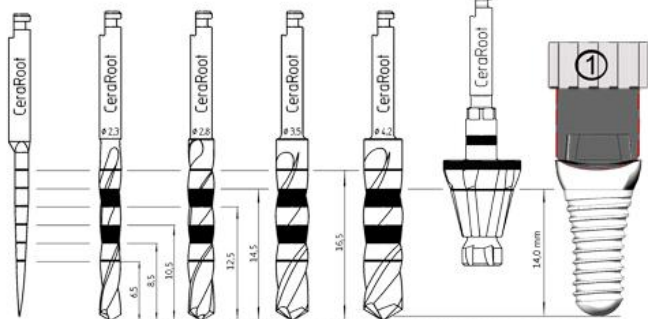
- ① manual plastic transfer
- ② transporter of implant 21 (ref:006.021)
- ③ right-angle adapter 4x4 (ref: 001.007)
- ④ right-angle/handpiece
- g gum level
- b bone level

**CeraRoot 16●**  
Manual Implant Placement  
Molars



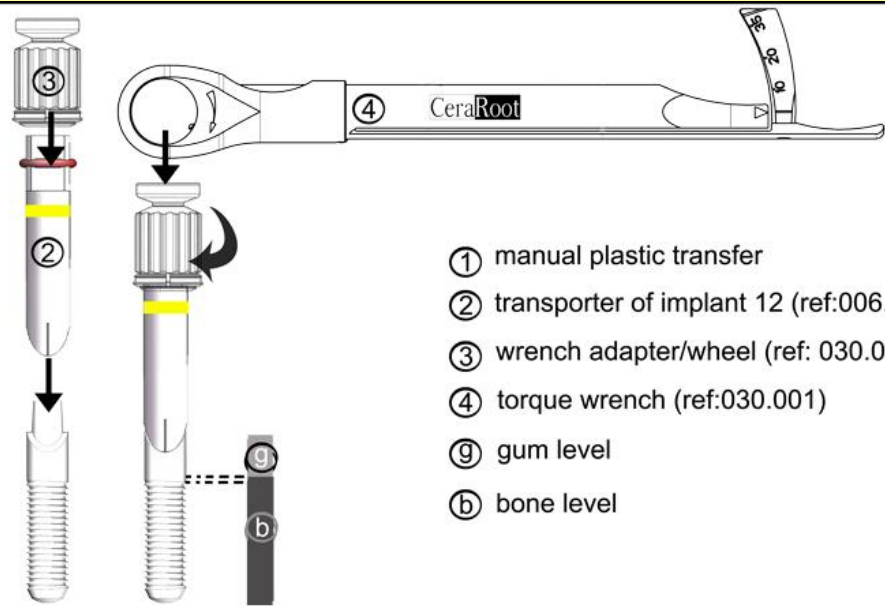
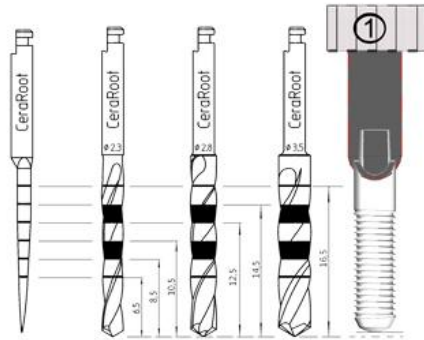
- ① manual plastic transfer
- ② transporter of implant 16 (ref:006.016)
- ③ wrench adapter/wheel (ref: 030.002)
- ④ torque wrench (ref:030.001)
- g gum level
- b bone level

**CeraRoot 16●**  
right-angle/handpiece Implant Placement  
Molars



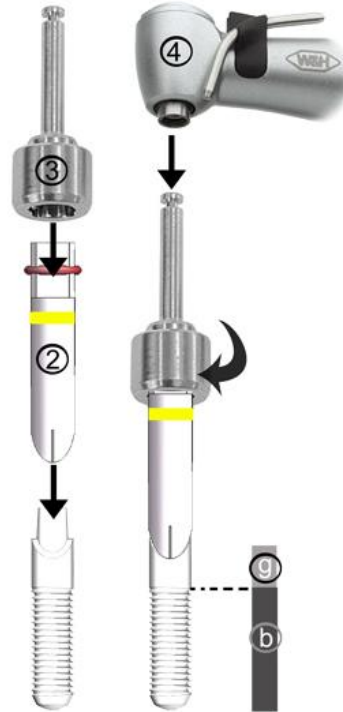
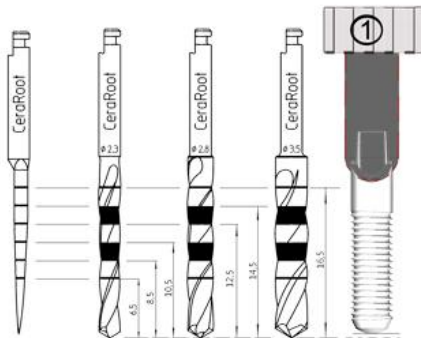
- ① manual plastic transfer
- ② transporter of implant 16 (ref:006.016)
- ③ right-angle adapter 4x4 (ref: 001.007)
- ④ right-angle/handpiece
- g gum level
- b bone level

**CeraRoot 12 ●**  
**Manual Implant Placement**  
**Upper Lateral Incisors**  
**Lower incisors**



- ① manual plastic transfer
- ② transporter of implant 12 (ref:006.012)
- ③ wrench adapter/wheel (ref: 030.002)
- ④ torque wrench (ref:030.001)
- g gum level
- b bone level

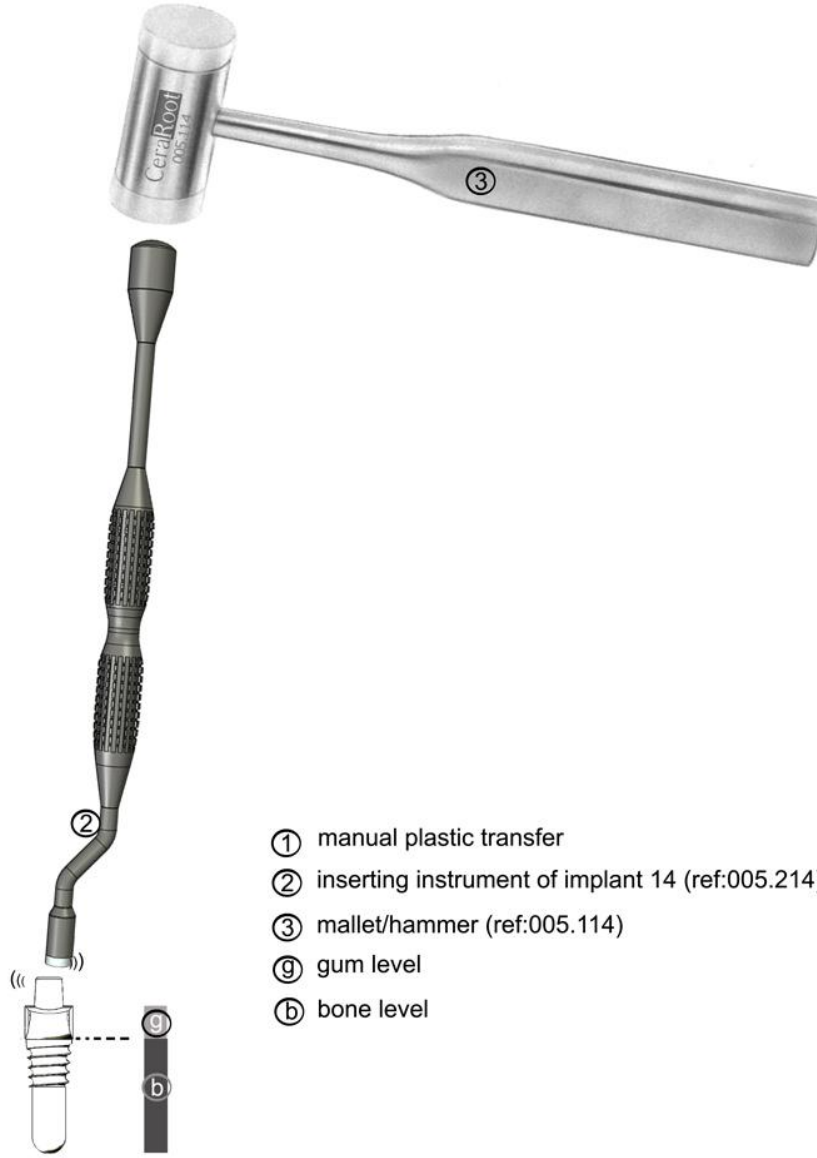
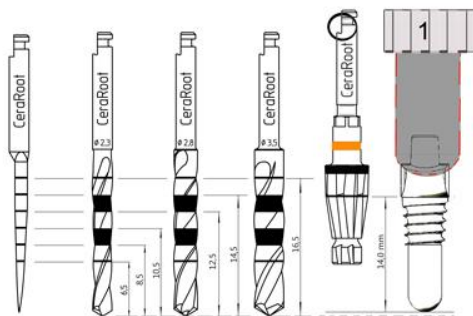
**CeraRoot 12 ●**  
**right-angle/handpiece Implant Placement**  
**Upper Lateral Incisors**  
**Lower Incisors**



- ① manual plastic transfer
- ② transporter of implant 12 (ref:006.012)
- ③ right-angle adapter 4x4 (ref: 001.007)
- ④ right-angle/handpiece
- g gum level
- b bone level



CeraRoot 14 ●  
 Implant Placement  
 Bicuspids  
 Small Cuspids



- ① manual plastic transfer
- ② inserting instrument of implant 14 (ref:005.214)
- ③ mallet/hammer (ref:005.114)
- g gum level
- b bone level