

IMPLANT PLACEMENT

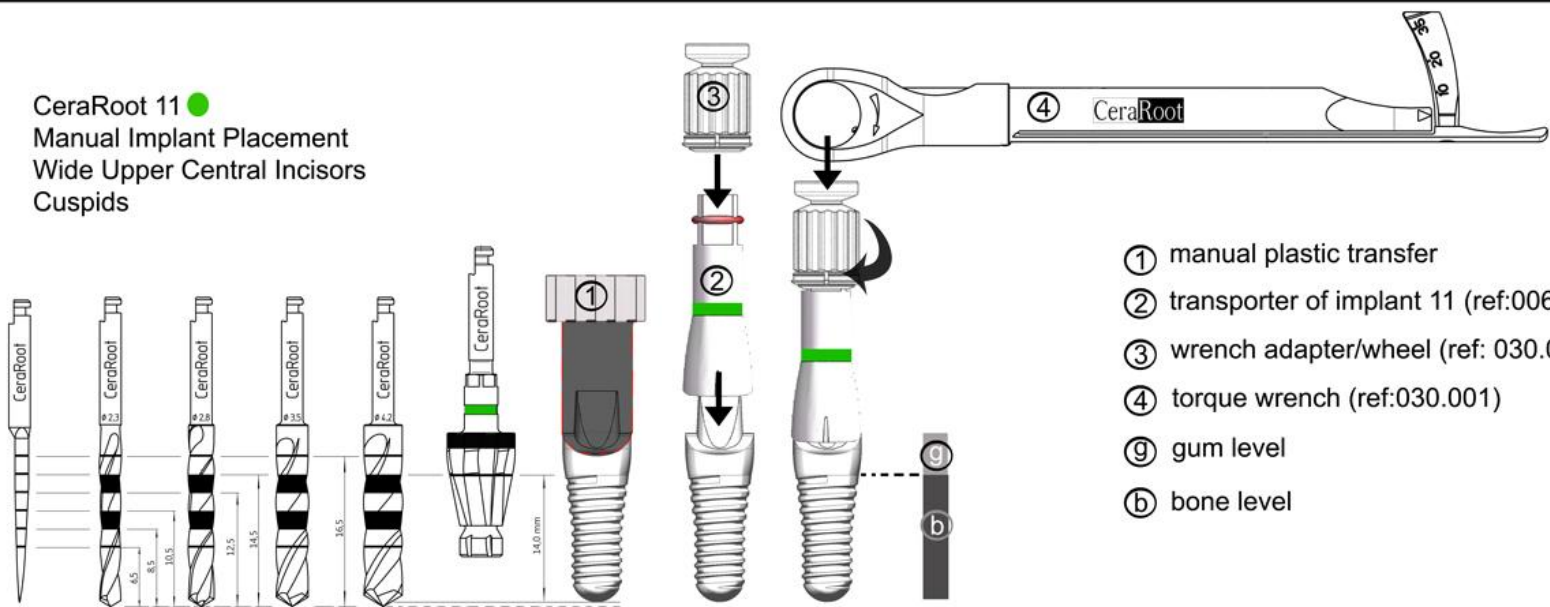


STEPS



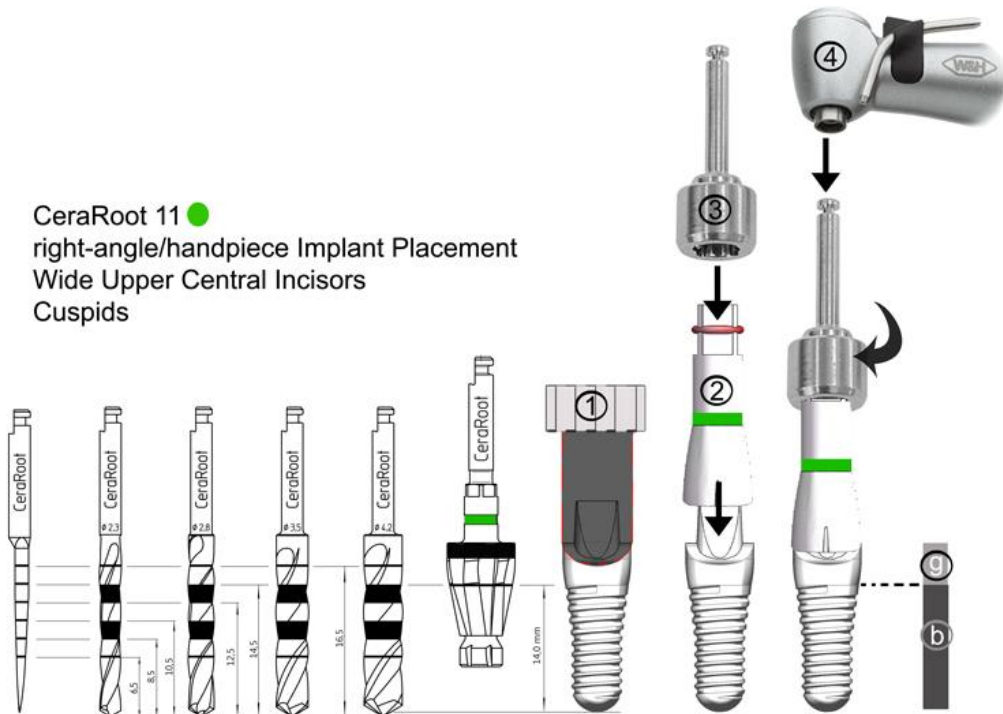
CeraRoot
Zirconia Dental Implants

CeraRoot 11 ●
Manual Implant Placement
Wide Upper Central Incisors
Cuspids



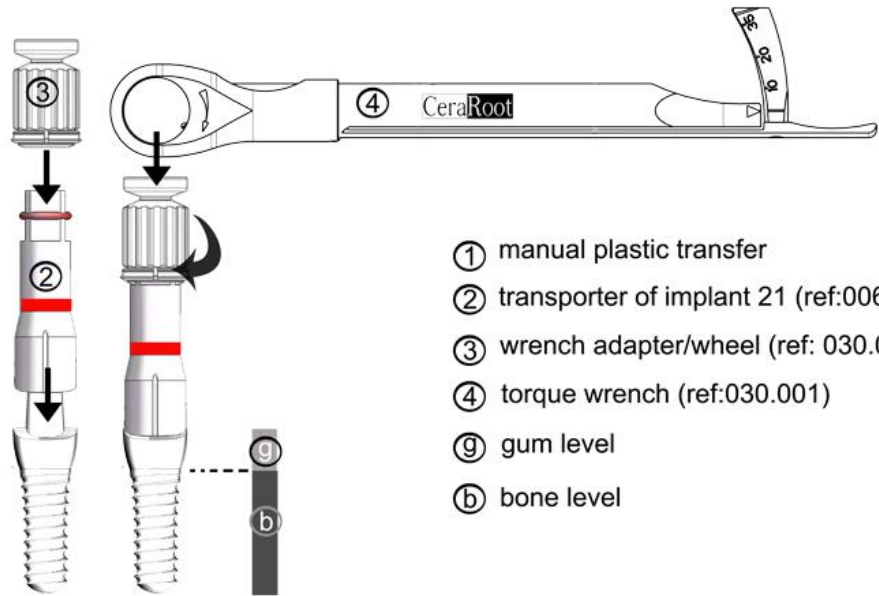
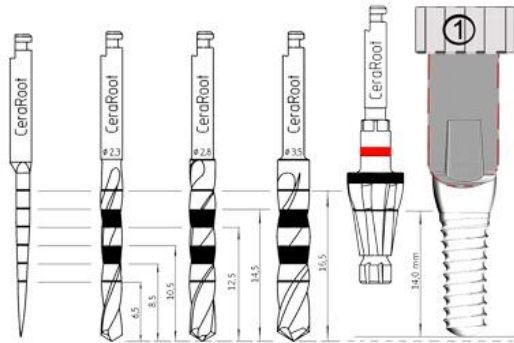
- ① manual plastic transfer
- ② transporter of implant 11 (ref:006.011)
- ③ wrench adapter/wheel (ref: 030.002)
- ④ torque wrench (ref:030.001)
- g gum level
- b bone level

CeraRoot 11 ●
right-angle/handpiece Implant Placement
Wide Upper Central Incisors
Cuspids



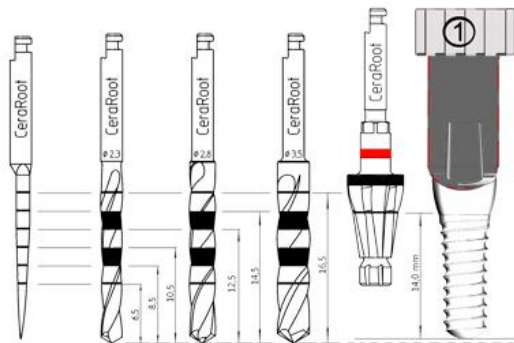
- ① manual plastic transfer
- ② transporter of implant 11 (ref:006.011)
- ③ right angle adapter 4x4 (ref: 001.007)
- ④ right-angle/handpiece
- g gum level
- b bone level

CeraRoot 21 ●
Manual Implant Placement
Upper Central Incisors
Cuspid



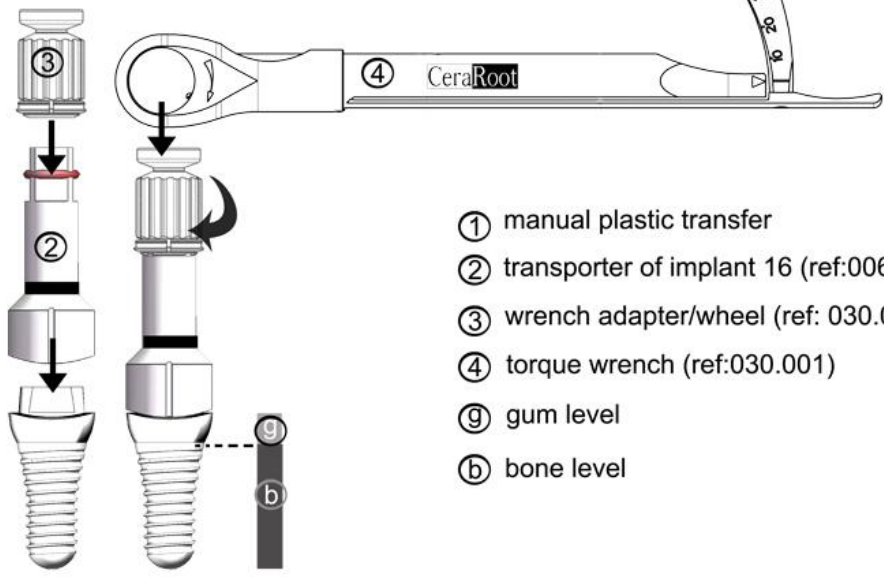
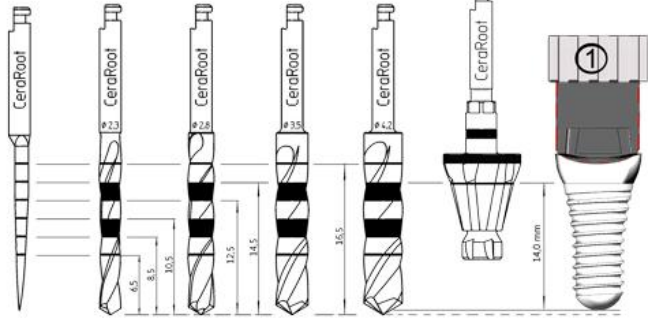
- ① manual plastic transfer
- ② transporter of implant 21 (ref:006.021)
- ③ wrench adapter/wheel (ref: 030.002)
- ④ torque wrench (ref:030.001)
- g gum level
- b bone level

CeraRoot 21 ●
right-angle/handpiece Implant Placement
Upper Central Incisors
Cuspid



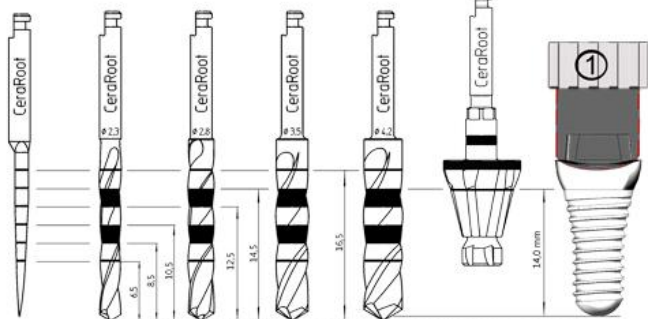
- ① manual plastic transfer
- ② transporter of implant 21 (ref:006.021)
- ③ right-angle adapter 4x4 (ref: 001.007)
- ④ right-angle/handpiece
- g gum level
- b bone level

CeraRoot 16●
Manual Implant Placement
Molars



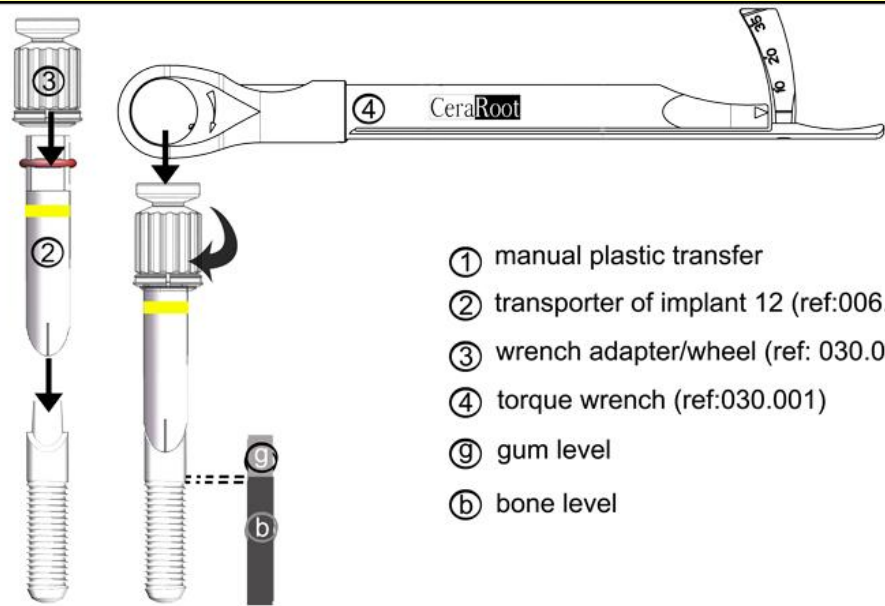
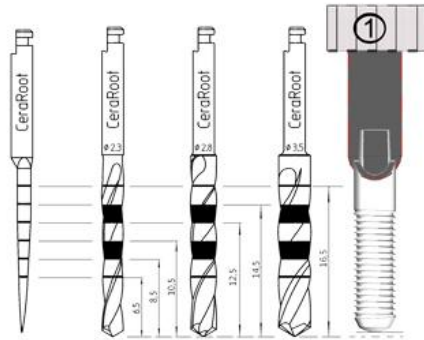
- ① manual plastic transfer
- ② transporter of implant 16 (ref:006.016)
- ③ wrench adapter/wheel (ref: 030.002)
- ④ torque wrench (ref:030.001)
- g gum level
- b bone level

CeraRoot 16●
right-angle/handpiece Implant Placement
Molars



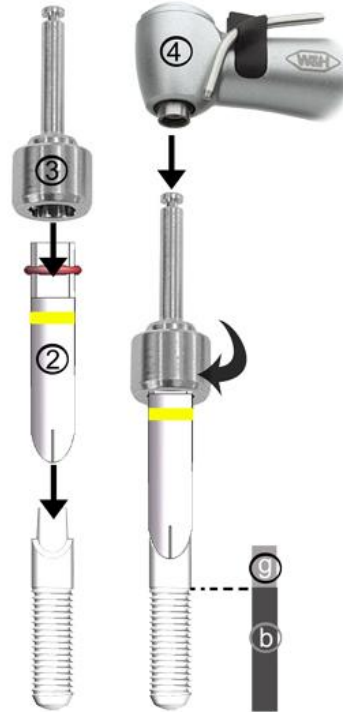
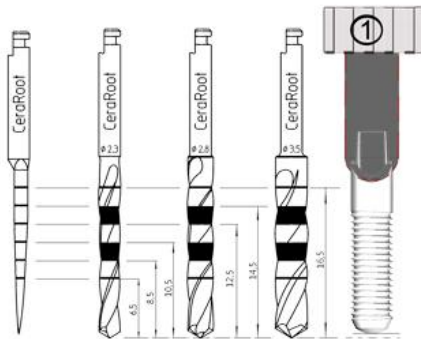
- ① manual plastic transfer
- ② transporter of implant 16 (ref:006.016)
- ③ right-angle adapter 4x4 (ref: 001.007)
- ④ right-angle/handpiece
- g gum level
- b bone level

CeraRoot 12 ●
Manual Implant Placement
Upper Lateral Incisors
Lower incisors



- ① manual plastic transfer
- ② transporter of implant 12 (ref:006.012)
- ③ wrench adapter/wheel (ref: 030.002)
- ④ torque wrench (ref:030.001)
- g gum level
- b bone level

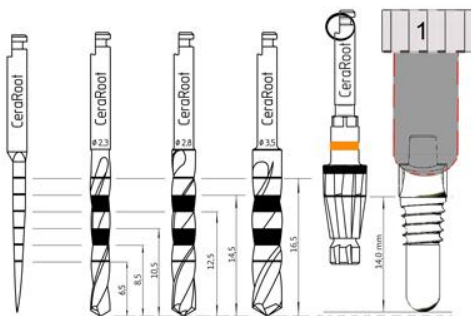
CeraRoot 12 ●
right-angle/handpiece Implant Placement
Upper Lateral Incisors
Lower Incisors



- ① manual plastic transfer
- ② transporter of implant 12 (ref:006.012)
- ③ right-angle adapter 4x4 (ref: 001.007)
- ④ right-angle/handpiece
- g gum level
- b bone level



CeraRoot 14 ●
 Implant Placement
 Bicuspids
 Small Cuspids



- ① manual plastic transfer
- ② inserting instrument of implant 14 (ref:005.214)
- ③ mallet/hammer (ref:005.114)
- ⓐ gum level
- ⓑ bone level